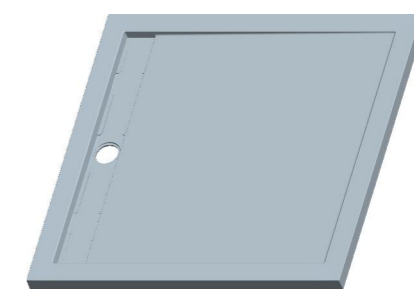
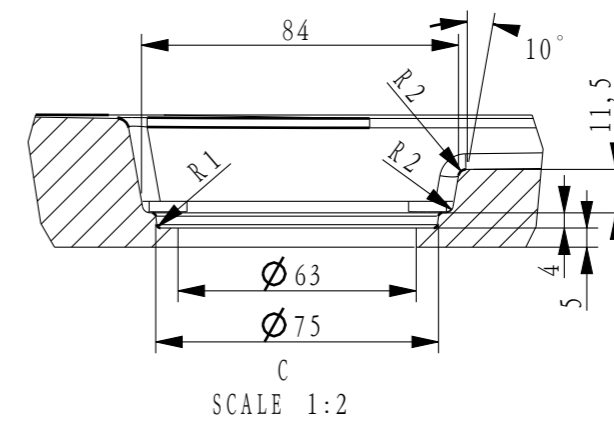
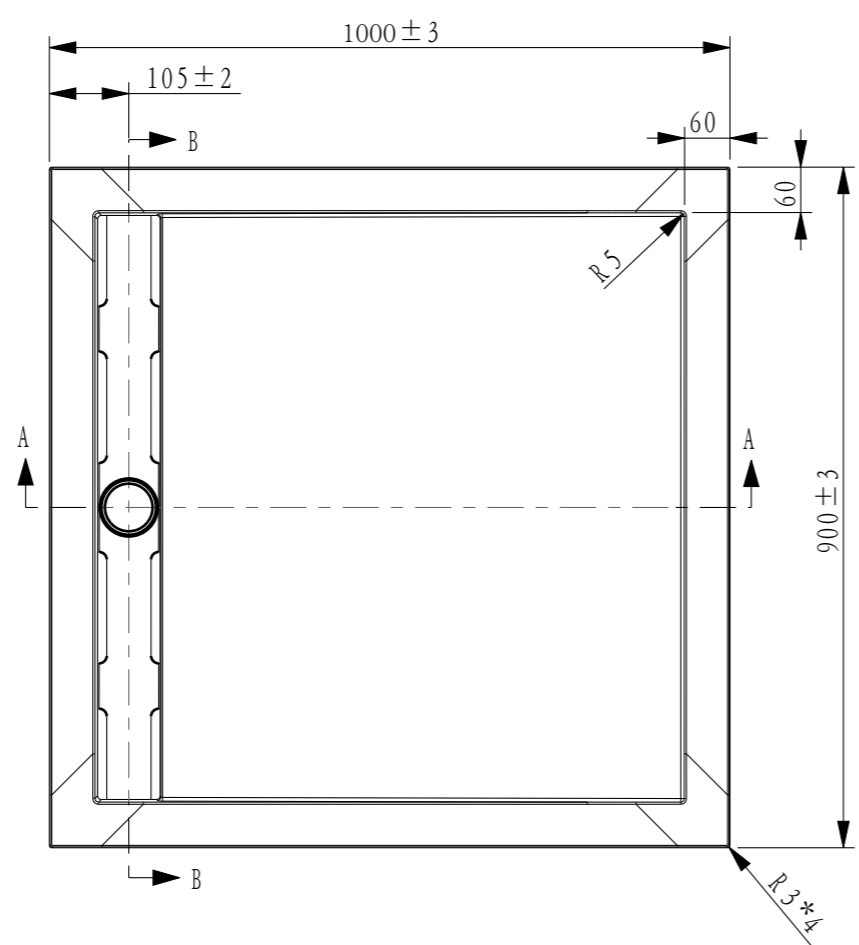
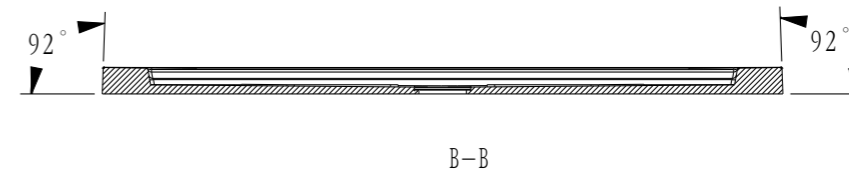
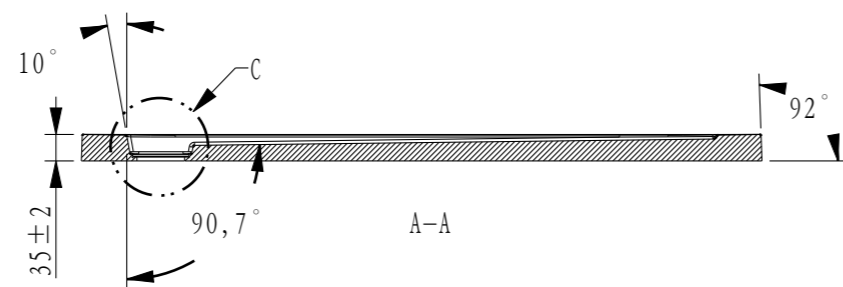
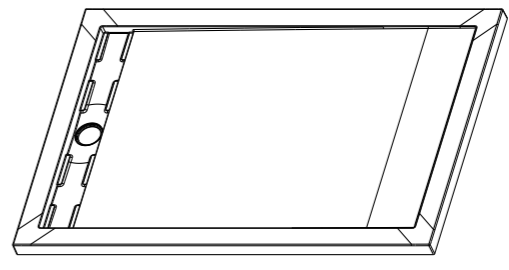
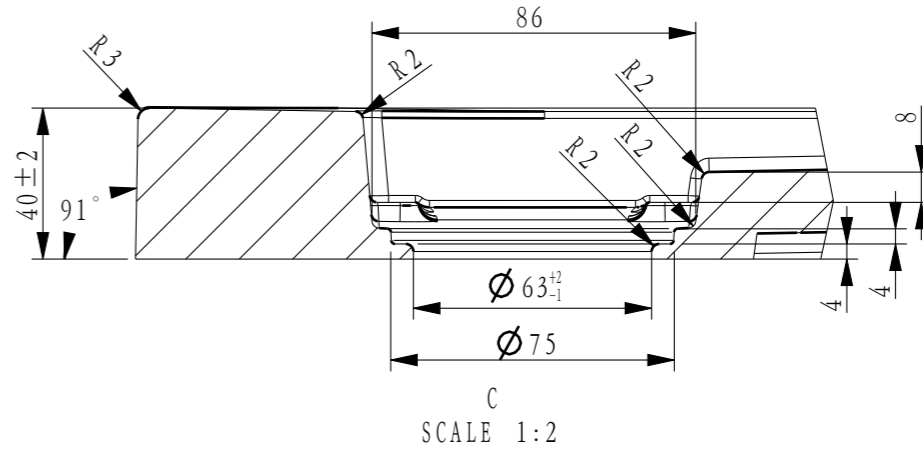
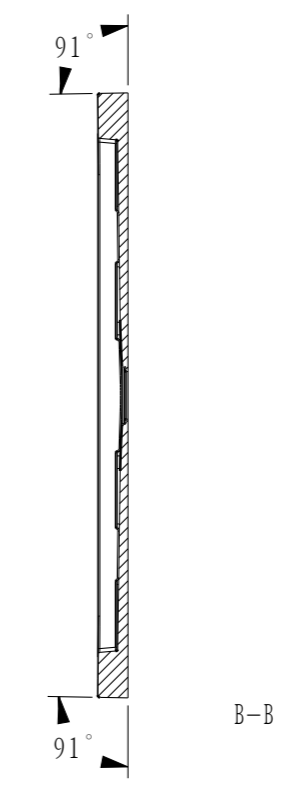
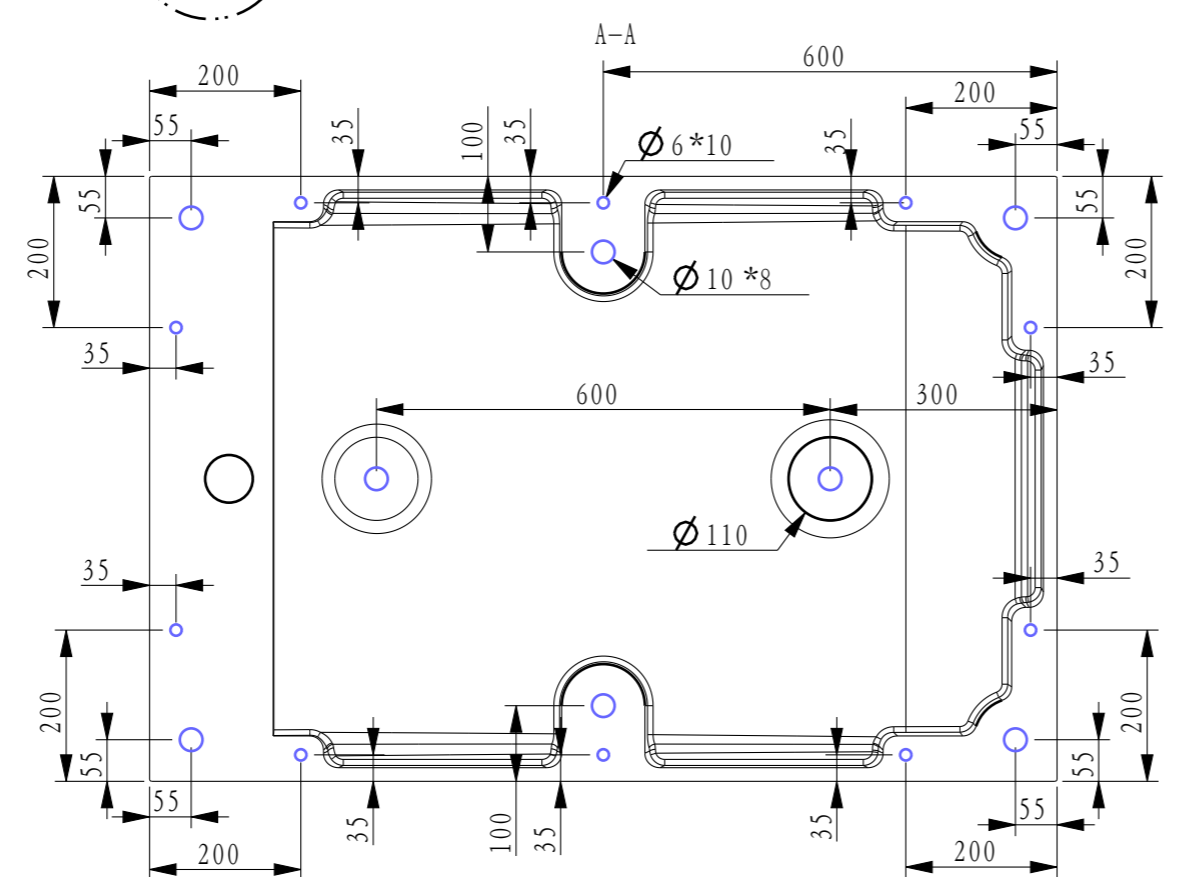
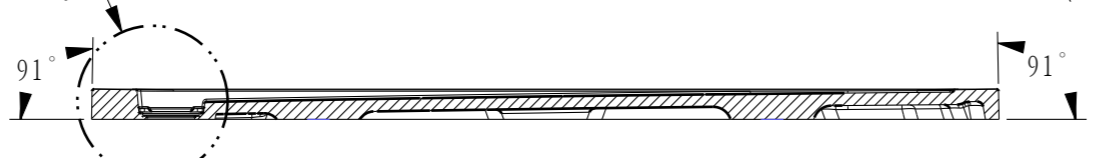
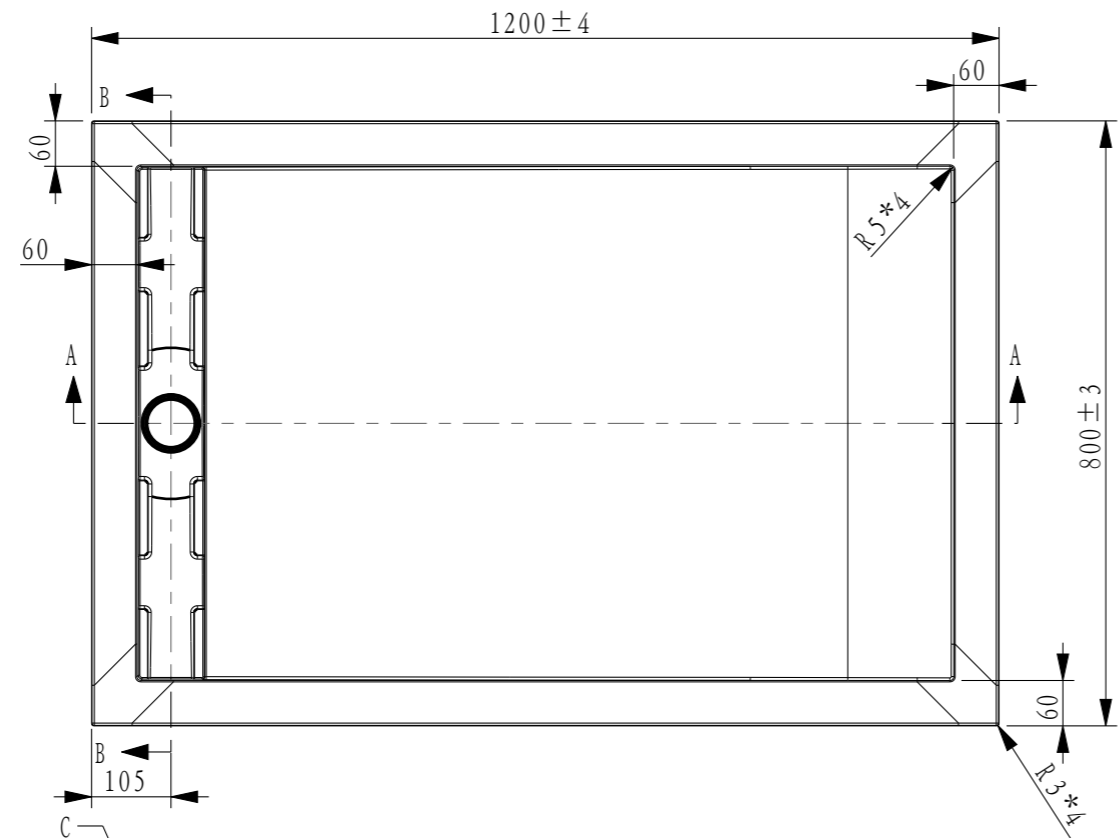


PROE-SYS				QA	COPY	APPR
DRAWN				MFG ENG		
DATE				FOI ENG		
ORDER				PATT SHOP		
13-04-12				COMPUTER GENERATED		
PAROS 90X90				REV A		
MATERIAL: POLYMARBLE		WEIGHT 37,8KG		SCALE 1:10		SHEET 1 OF 1



PAROS 100X90

REV



PERSPECTIVE
SCALE 1:20

GB-1280S				COPY	APPR
PROE-SYS				QA	
DRAWN Frankie_shu				MFG ENG	
CHECKED				FOI ENG	
DATE 2014.7.14				PATT SHOP	
ORDER				COMPUTER GENERATED	
PAROS 120X80				14-07-14-01-FD	REV A
PATTERN	MATERIAL: POLYMARBLE	WEIGHT	SCALE 1:10	SHEET 1 OF 1	